



Adjustable Gate Kits

Blade – Powder Coated Black

An adjustable Blade Gate assembled in minutes, simply cut the gate to your desired width, slide gate stile through top/bottom rail to complete kit.

Now comes complete with a welded backing plate an architectural designed mortice lock system including two black handles, barrel lock and two keys to compliment the blade gate.

Available in both left/right hand.



900mm high x
1250mm wide
(adjustable)

\$420 + GST

1200mm high x
1500mm wide
(adjustable)

\$440 + GST

1500mm high x
1500mm wide
(adjustable)

\$460 + GST

1800mm high x
1500mm wide
(adjustable)

\$480 + GST

PACKAGES INCLUDE:

- 1500mm Wide Panel
- 1 Individual Gate Stile
- Welded Backing Plate
- Mortice Lock System
- Barrel / 2 Handles, 2 Keys



Additional Accessories

Gate Posts

FLANGED POSTS

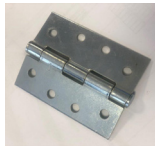
75 x 75 x 1300mm	\$60 per post + GST
75 x 75 x 1900mm	\$73 per post + GST
100 x 100 x 1300mm	\$88 per post + GST
100 x 100 x 1900mm	\$116 per post + GST

IN - GROUND POSTS

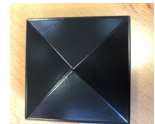
75 x 75 x 1800mm	\$50 per post + GST
75 x 75 x 2400mm	\$68 per post + GST
100 x 100 x 1800mm	\$90 per post + GST
100 x 100 x 2400mm	\$116 per post + GST

Additional Accessories

HFP 100 x 75 Butt Hinge Zinc Plated
\$30 each + GST



IPC 7575 - Post Caps - Flat
\$4 each + GST



DPG200 - Gravity Latch; Double Sided
Lockable
\$95 each + GST



Individual Gate Stile .900mm Black
\$50 + GST



DPG200 - Adjustable Self Closing
Hinge
\$40 each + GST



Individual Gate Stile 1200 Black
\$60 + GST



DPL1000MK3; Ultra Safe Gate Latch
(Magna Latch)
\$95 each + GST



Individual Gate Stile 1500 mm Black
\$70 + GST



Mortice Lock
\$170 each + GST

(includes Brass Door Handle, Barrel,
Lock and 2 Keys)



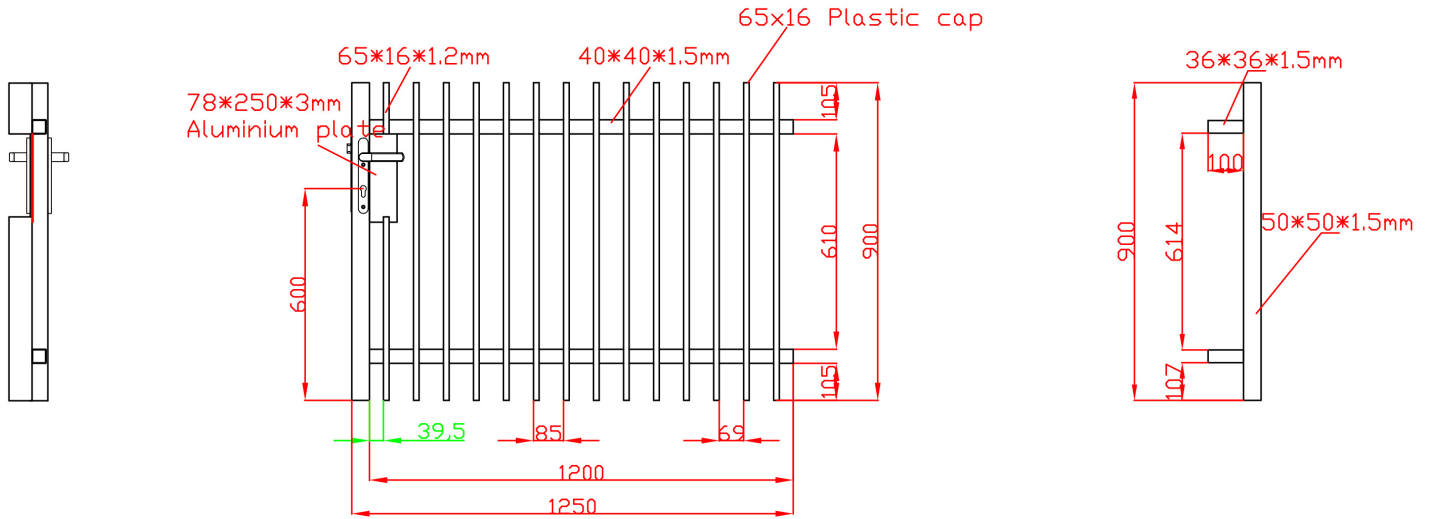
Individual Gate Stile 1800mm Black
\$75 + GST



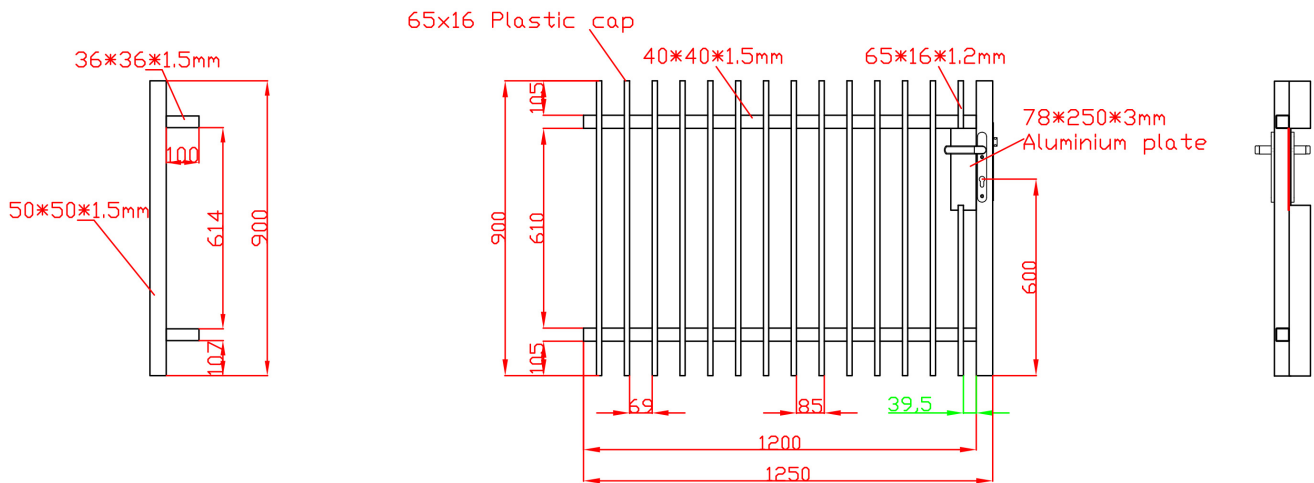
Adjustable Blade Gate Kit – Technical Drawings

1250mm x 900mm

LEFT HAND SIDE



RIGHT HAND SIDE



Unit 1, 1710 Sydney Rd, Campbellfield VIC 3061
 info@macedonfencing.com.au
 www.macedonfencing.com.au

COMMERCIAL / CALL FOR A QUOTE

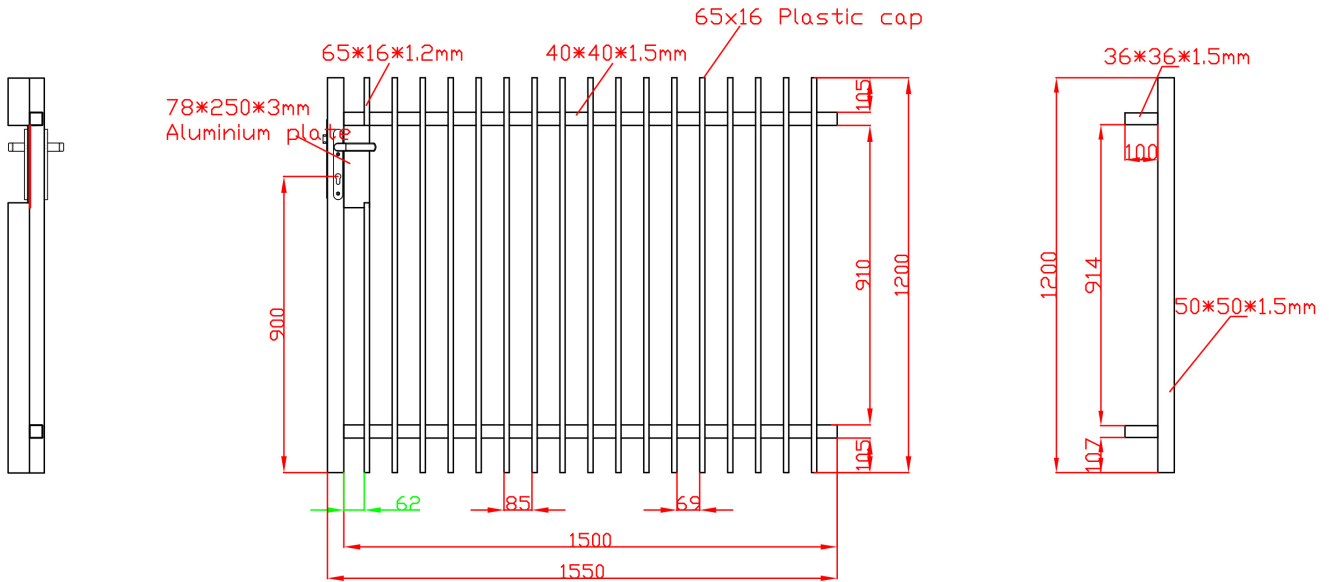
1300 101 202

 citywideandmacedon

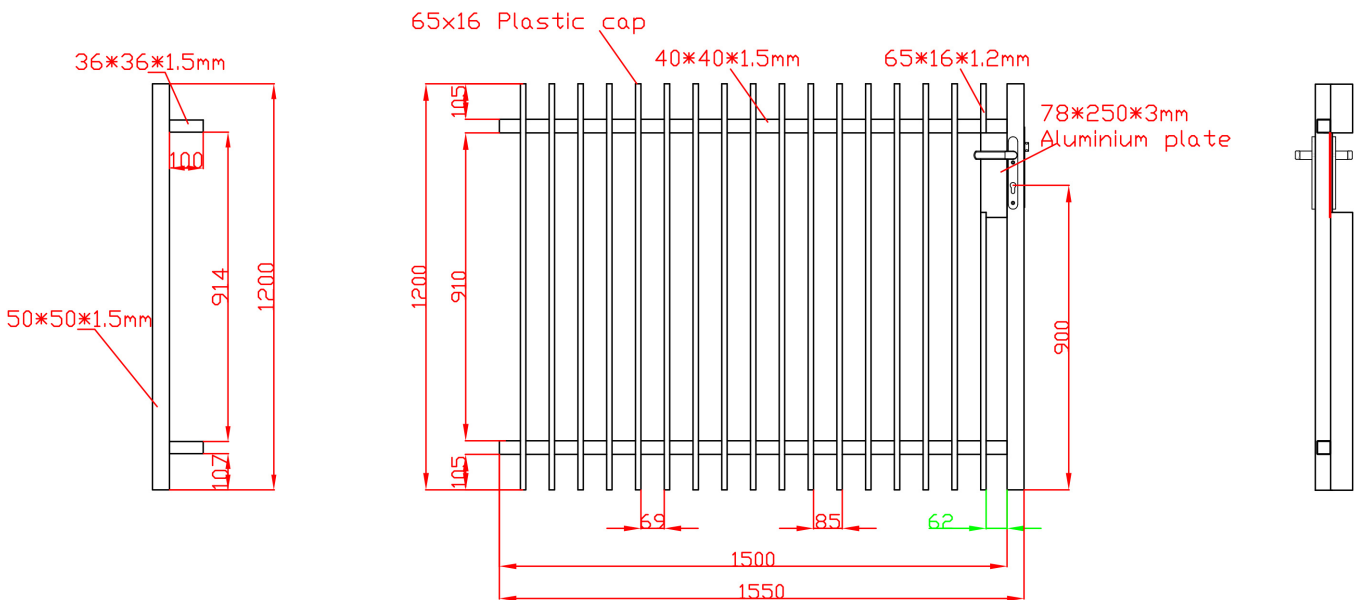
Adjustable Blade Gate Kit – Technical Drawings

1200mm x 1500mm

LEFT HAND SIDE



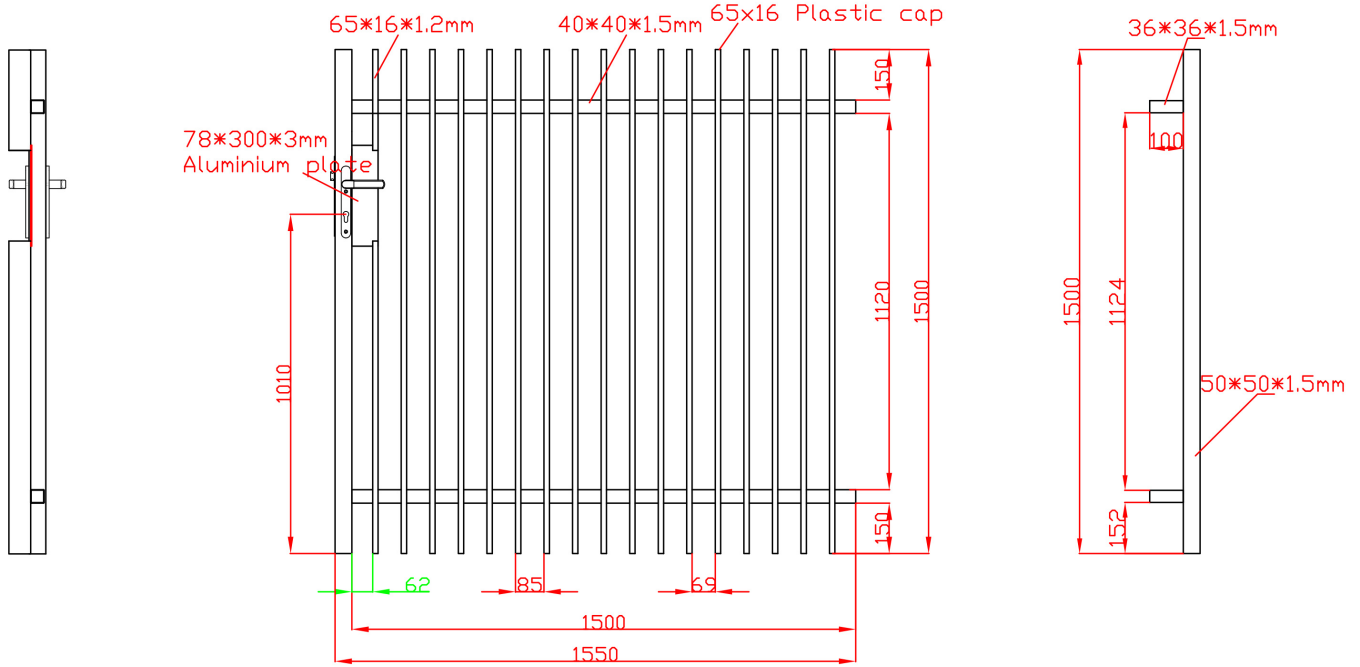
RIGHT HAND SIDE



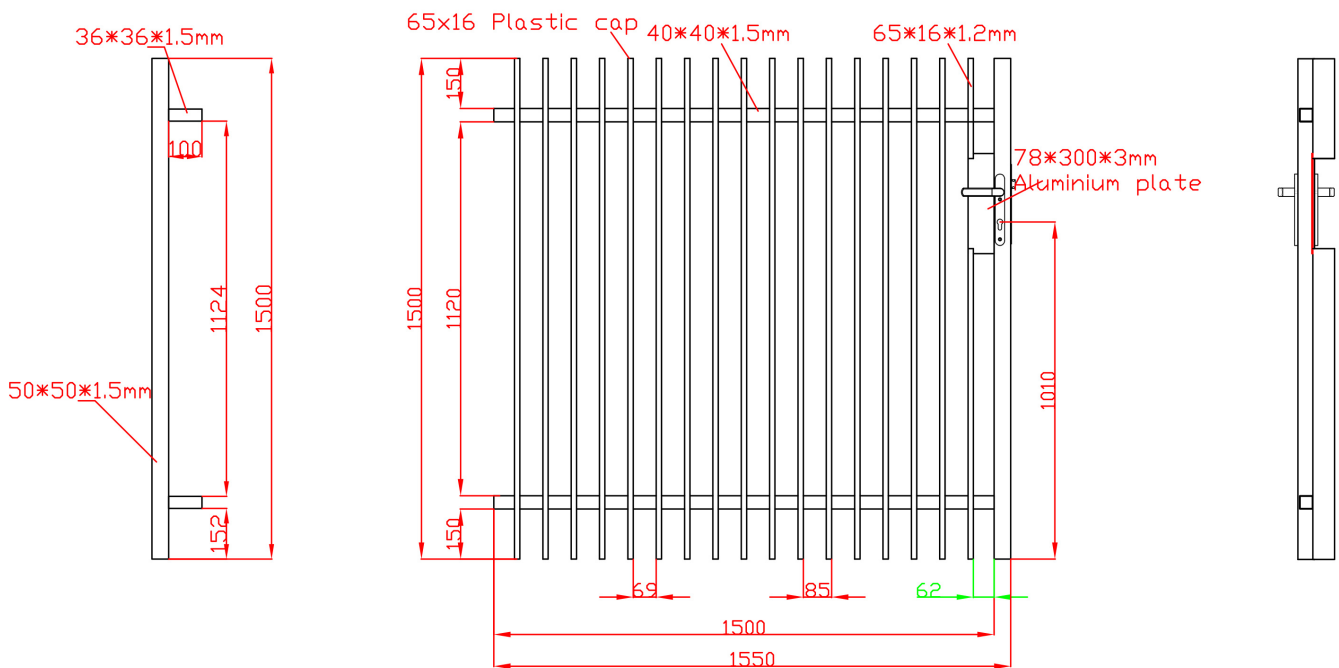
Adjustable Blade Gate Kit – Technical Drawings

1500mm x 1500mm

LEFT HAND SIDE



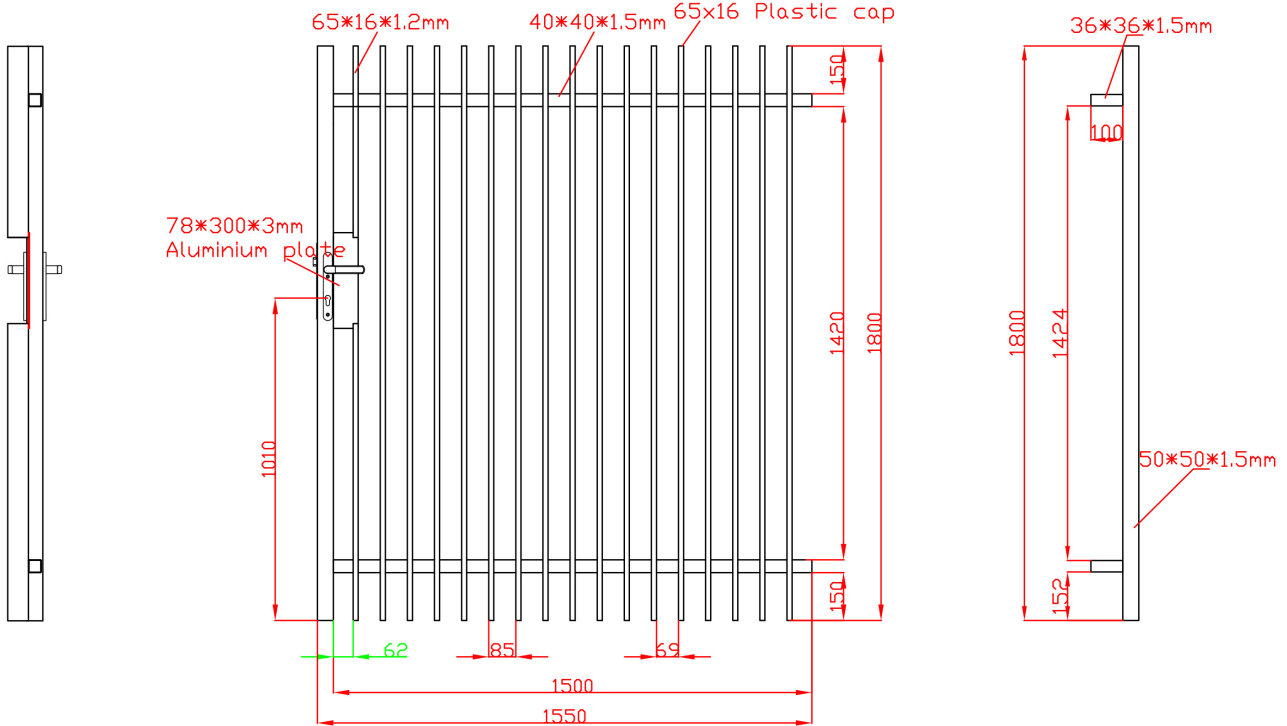
RIGHT HAND SIDE



Adjustable Blade Gate Kit – Technical Drawings

1500mm x 1800mm

LEFT HAND SIDE



RIGHT HAND SIDE

