

Aluminium Slat Gate Kits in a Box

**Adjustable Gate Cut to Desired
Width 900mm wide – 1500mm Wide**

Available in: 1.2 metre high \$350 + GST
 1.8 metre high \$400 + GST



- A beautiful powder coated finish
- No visible screws or fixings
- Instructions included in the box
- Quick and easy to assemble
- All gate hardware available

Available Colours



Additional Accessories

Gate Posts

IN – GROUND POSTS

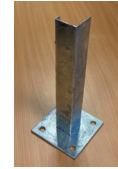
65 x 65 x 2700mm

\$65 per post + GST

Additional Accessories

Post Brackets – Galvanised to suit 65 x 65 x 2700 post

\$40 each + GST



HFP 100 x 75 Butt Hinge Zinc Plated

\$40 each + GST



DPG200 – Gravity Latch; Double Sided Lockable

\$75 each + GST



DPG200 – Adjustable Self Closing Hinge

\$40 each + GST



DPL1000MK3; Ultra Safe Gate Latch (Magna Latch)

\$70 each + GST



Mortice Lock

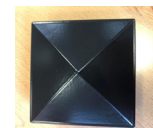
(includes Brass Door Handle, Barrel, Lock and 2 Keys)

\$170 each + GST




IPC 6565 – Post Caps – Flat

\$4 each + GST



Unit 1, 1710 Sydney Rd, Campbellfield VIC 3061
info@macedonfencing.com.au
www.macedonfencing.com.au

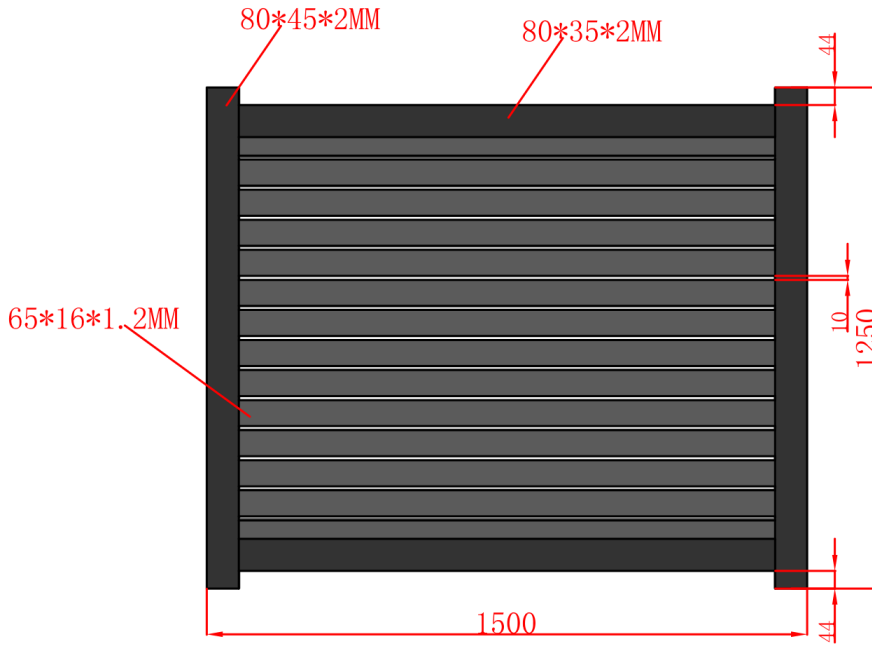
 citywideandmacedon

COMMERCIAL / CALL FOR A QUOTE

1300 101 202

Technical Drawings

1.2 metres high



1.8 metres high

