

Aluminium Vertical Blade Sliding Gate – Black

Patented
Product

Available in 1.2m and 1.8m high
from \$320 + GST

- Fabricate a sliding gate to your desired length within 30 minutes
- Easy DIY – no tradesman required!
- No welding
- No powdercoating
- No cutting
- Gates are pre-fabricated
- Each 1m section comes with track & wheel
- Simply connect panels together with an easy clip and bolt system

Catch
\$40 + GST

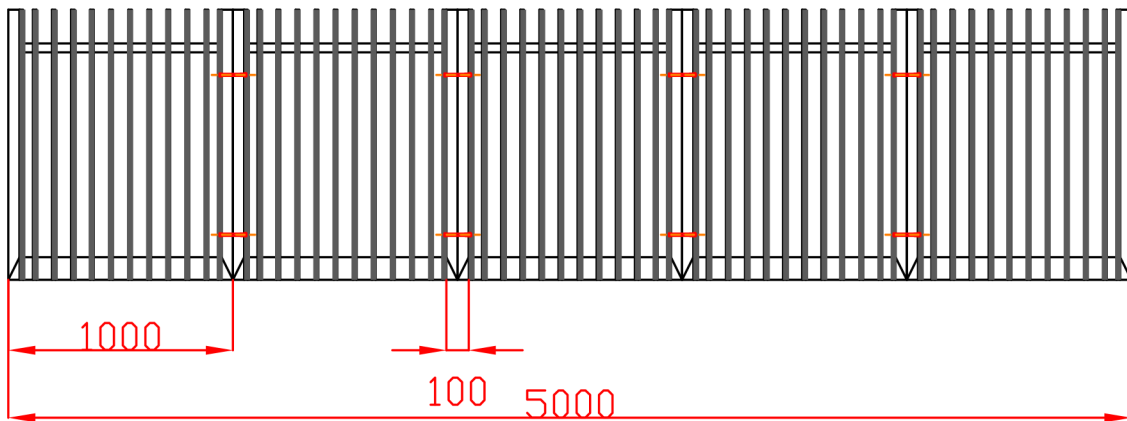
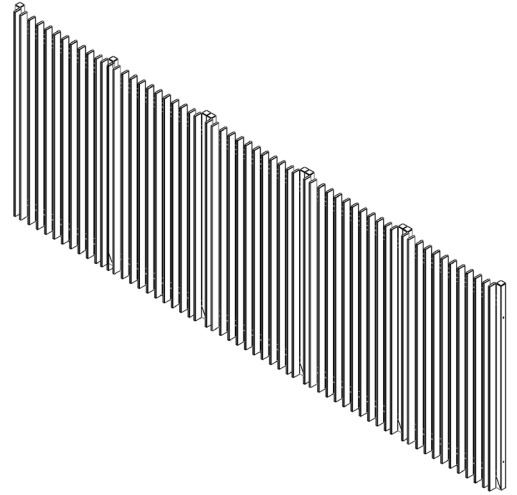
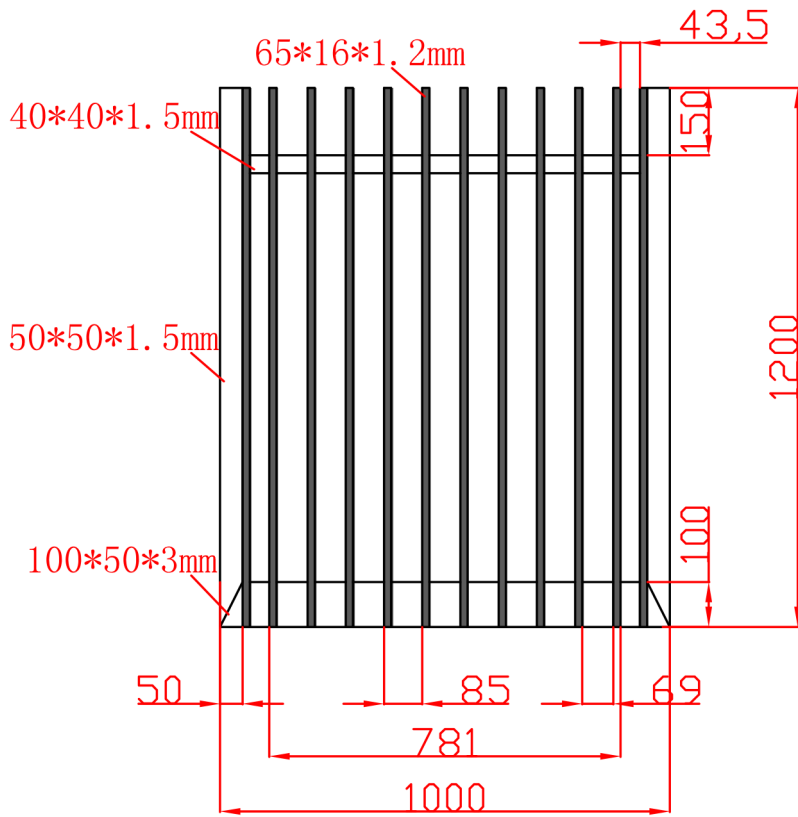


Top Roller
\$60 + GST



Track & wheel
included in the price

Technical Drawings



Assembly Diagram
1:2