

The Horizontal Slat Gate

Adjustable Gate Cut to Desired Width

1800H × 1500W – 1200H × 1500W

(cut individual slats to shorten width)

Available in: 1.2 metre high \$420 + GST

1.8 metre high \$460 + GST



- A beautiful powder coated finish
- No visible screws or fixings
- Instructions included in the box
- Quick and easy to assemble
- All gate hardware available
- Mortice lock
- System with barrel
- Key
- Black handles
- Striker plate

Available Colours



Additional Accessories

Gate Posts

IN – GROUND POSTS

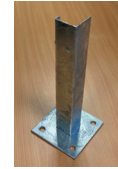
65 x 65 x 2700mm

\$65 per post + GST

Additional Accessories

Post Brackets – Galvanised to suit 65 x 65 x 2700 post

\$40 each + GST



HFP 100 x 75 Butt Hinge Zinc Plated

\$30 each + GST



DPG200 – Gravity Latch; Double Sided Lockable

\$95 each + GST



DPG200 – Adjustable Self Closing Hinge

\$40 each + GST



DPL1000MK3; Ultra Safe Gate Latch (Magna Latch)

\$95 each + GST



Mortice Lock

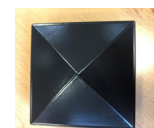
(includes Brass Door Handle, Barrel, Lock and 2 Keys)

\$170 each + GST



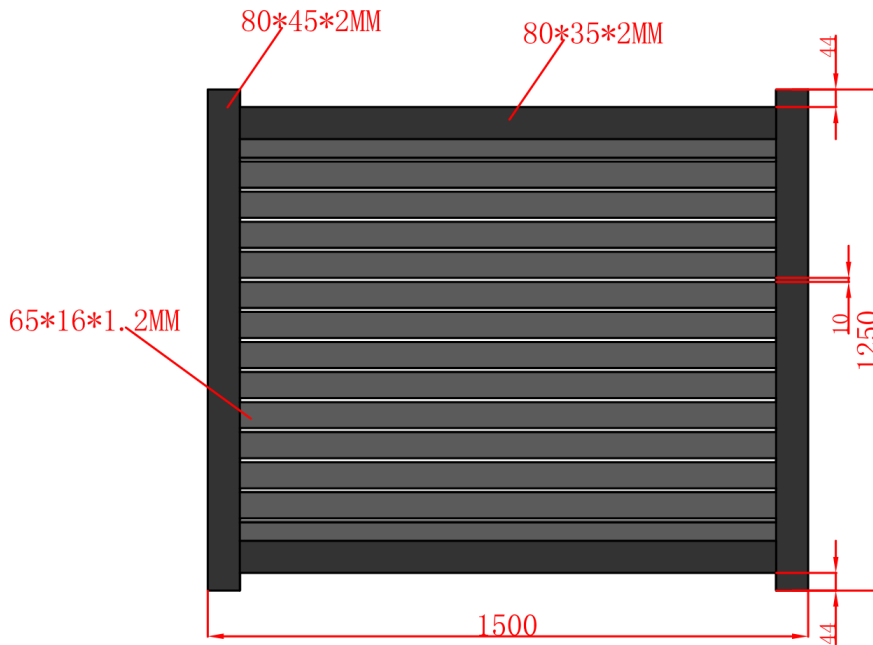
IPC 6565 – Post Caps – Flat

\$5 each + GST



Technical Drawings

1.2 metres high



1.8 metres high

